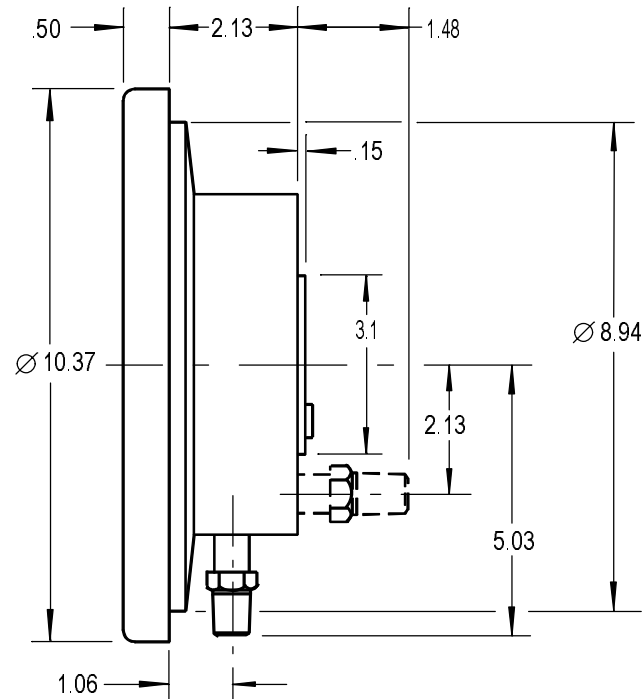
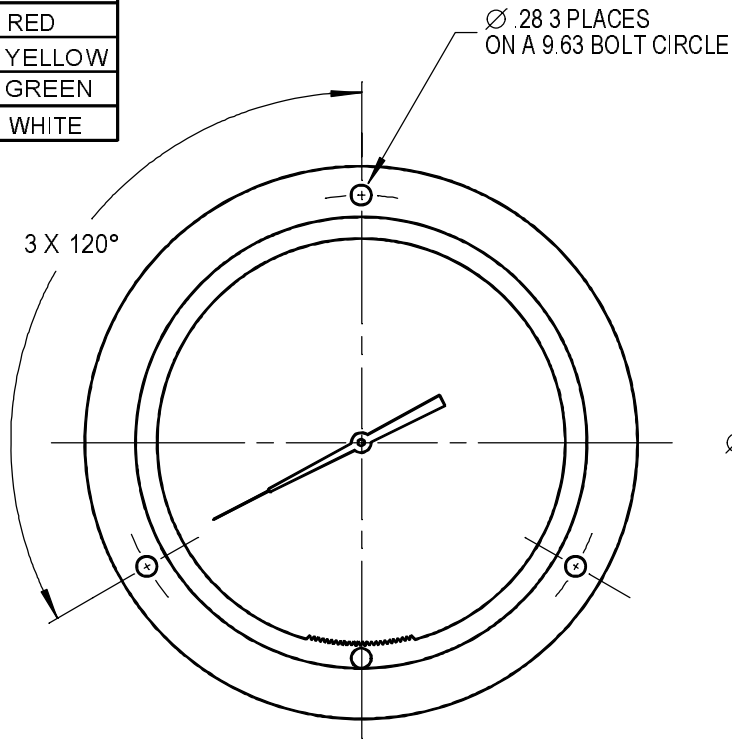


NOTES:

xx	RANGE	y	COLOR
73	250 FSW	A	BLACK
74	300 FSW	B	BLUE
75	350 FSW	R	RED
76	450 FSW	Y	YELLOW
85	1200 FSW	G	GREEN
		W	WHITE

z: 0 - BACK MOUNT
2 - BOTTOM MOUNT



SPECIFICATIONS SUBJECT TO CHANGE WITHOUT NOTICE

UNLESS OTHERWISE SPECIFIED DIMENSIONS ARE IN INCHES		MATERIAL: ABS or EQUAL		CONTRACT NO.		PERMA-CAL INDUSTRIES, INC.							
ANGULAR ± 0° 30'				DATE				CAISSON GAUGE, 8½" Front Flange, 1/4 NPT					
LINEAR .XX ± .03				PREP BY						REH		2/23/2011	
FRACTIONAL .XXX ± .015				CHECK						PROJ		ENGR	
CORNER AND FILLET RAD. .005-.015 REMOVE ALL BURRS		FINISH:		USED ON: INDUSTRIAL GAUGES		SIZE A				CODE IDENT NO. 59018		DRAWING NO. 308FTWxyz1-O	
DIAMETERS ON SAME C/L RUNOUT WITHIN _____ FIR				FILE NAME: 308FTW Top		SCALE NONE		WEIGHT 6.6 lbs.		SHEET 1		OF 1	
✓ SURFACE ROUGHNESS USAS B46.1													

